

# CAL-00X

## Calcimeter

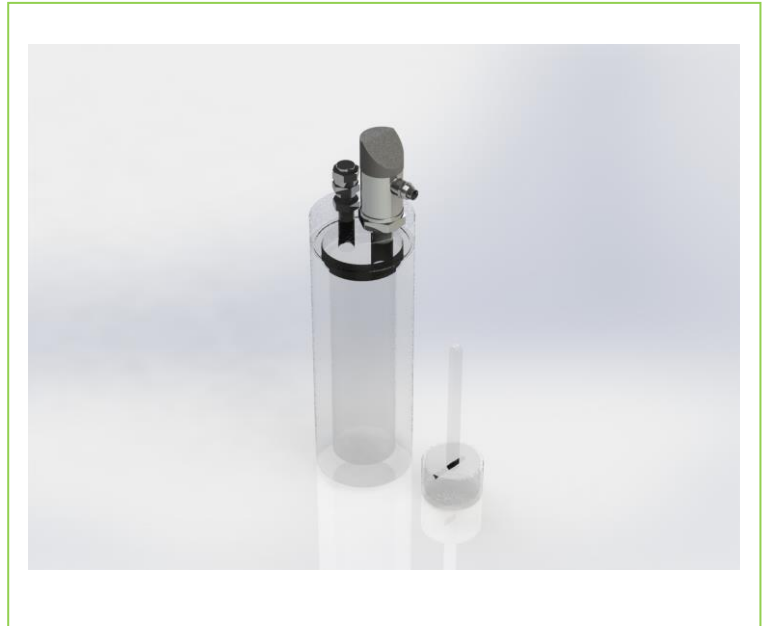
# Preliminary

Part Number: CAL - 00X

Clear acrylic calcimeter  
With ProSens digital pressure sensor  
With Swagelok relief valve

Complies with ASTM D 4373-84 Standards

Same design as used by major service companies



### Technical Data

Operating temp:	- 0 ...+ 40 degrees C - 32 ...+ 104 degrees F
Certification:	Not for hazardous areas
Weight:	2.2 lbs (1 kg)
Protection:	N/A
Material Bottle:	Clear Acrylic
Material Cap:	Clear Acrylic
Material Stirrer/Spoon:	Clear Acrylic
Power Supply Gauge:	18-30V
Output:	4...20mA/0-10V Select.
Pressure Range:	-1.8 to 36.25 psig

### Advantages

- Clear case allows user to see reaction
- Acrylic is resistant to HCL
- Digital output can be output direct to system

### Connection Options

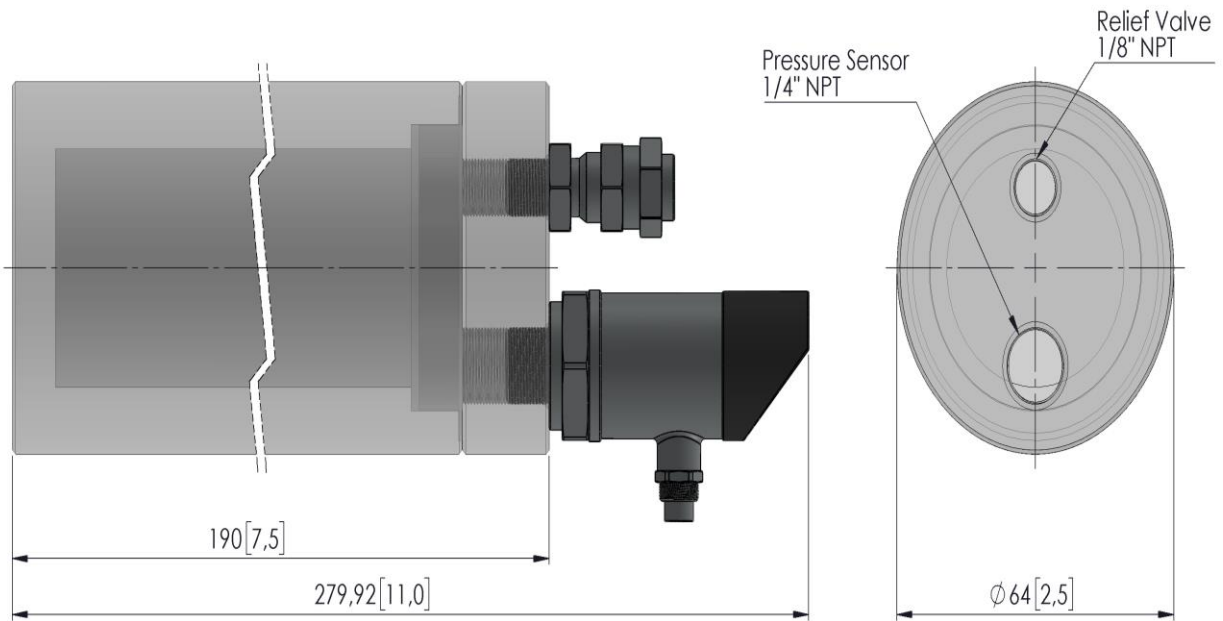
**4pin M12**  
Wiring per user manual

### Usage

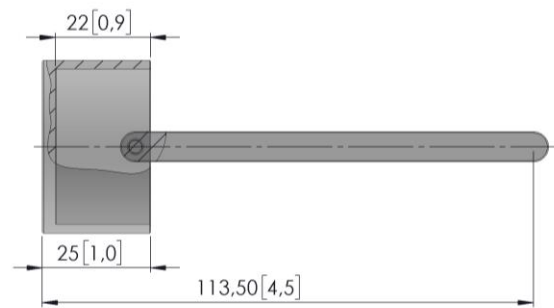
Sample to be measured is crushed and reacted with 10% HCL to form CO2. The build up of pressure is measured and compared against that of a sample of pure calcium carbonate that has undergone the same reaction. The percentage of calcium is a function of the pressure, a relative measurement

### Manual

[Complete manual for download](#)



All quotes in mm[inch]



All quotes in mm[inch]